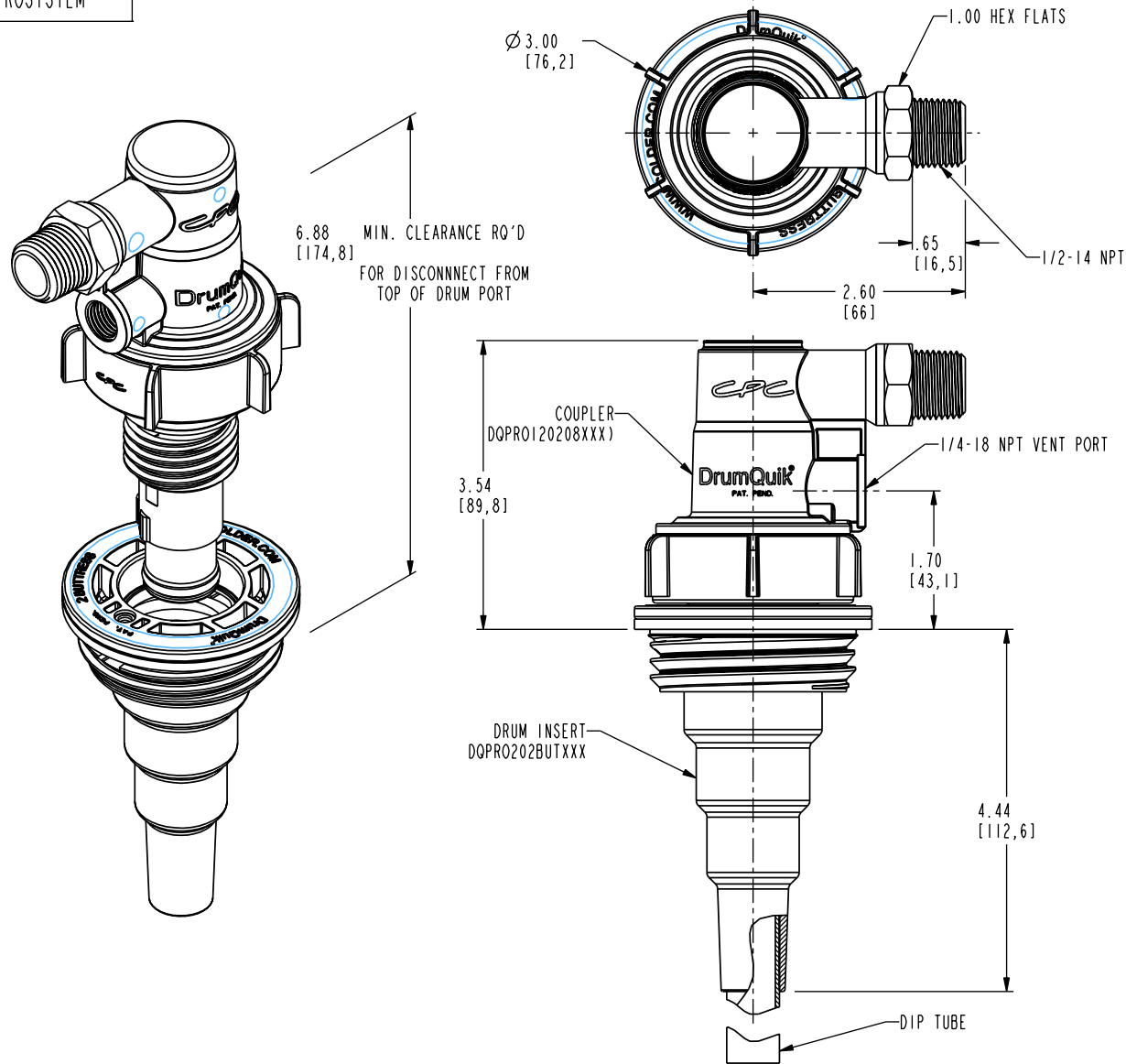


DWG NO: DQPROSYSTEM

CONFIDENTIAL
 THIS PRINT CONTAINS PROPRIETARY INFORMATION
 NO REPRODUCTION OR DISCLOSURE OF THIS DOCUMENT
 SHALL BE MADE WITHOUT AUTHORIZATION FROM
 COLDER PRODUCTS COMPANY



NOTES:

MATERIALS:

- DRUM INSERT:
 - MAJOR COMPONENTS: HDPE
 - GASKET: EPDM (STANDARD) OR FKM (OPTIONAL)
- COUPLER:
 - MAJOR COMPONENTS: POLYPROPYLENE
 - SPRING: SST (STANDARD) OR HASTELLOY (OPTIONAL)
 - O-RINGS: EPDM (STANDARD) OR FKM (OPTIONAL)

CPC COLDER PRODUCTS COMPANY	
PROJECT	ASSY 1/2 NPT COUPLER/DRUM INSERT 2" BUT CUSTOMER DRAWING
5771	
DWG BY: GJH	DATE: 08-11-06 CHKD BY:
MATL/FIN: SEE ABOVE	DWG NO: DQPROSYSTEM