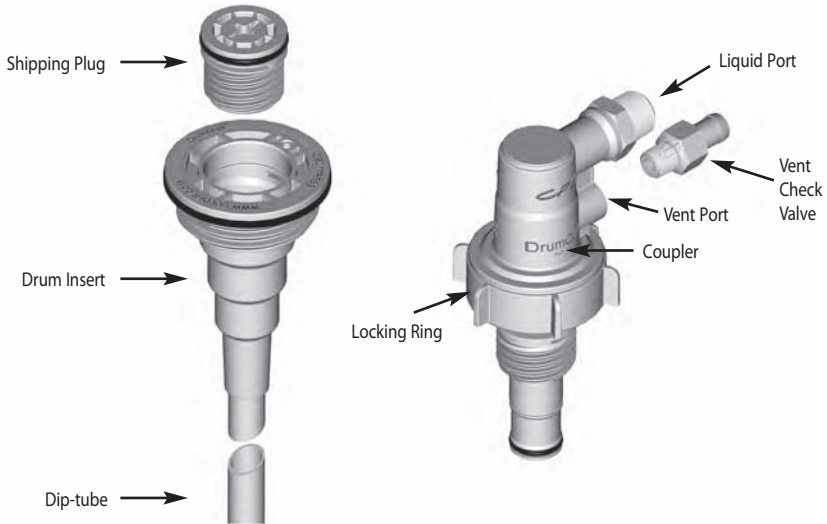


DrumQuik® PRO

Dispensing System for Professional Chemical Management

SYSTEM INSTALLATION GUIDE



Chemical Dispensing Made Easy
Simple steps to install and use the DrumQuik® PRO



Colder Products Company®
Quick Couplings & Fittings for Plastic Tubing

Installation

The DrumQuik® PRO drum insert assembly replaces one of the drum's bung plugs and is torqued and shipped as part of the drum package.



1. Fully press dip-tube into drum insert socket.



2. Place the drum insert assembly in drum.



3. Torque insert with drum wrench or 1/2" drive torque wrench and a Colder torque socket tool. (Colder PN 2290301).
Note: Torque to 25 ft-lb (34 N-m).

Dispensing

Remove the shipping plug from the drum insert assembly, then connect the DrumQuik PRO coupler, locking it into place.



1. Turn shipping plug counterclockwise to remove. (Use a large, flat blade or #4 Phillips screwdriver.)



2. Insert coupler into drum insert assembly.



3. Turn the coupler locking ring clockwise until stop is reached (approximately 2 full turns); valve is opened during this process.

Vapor Management

Three vapor management options:

1. Fully open to vent vapors to the atmosphere.
2. Connect Colder check valve (Colder PN 2324300) to allow make-up air in, without allowing fumes to escape.
3. Connect a Colder quick disconnect coupling for blanket gas (N₂, CO₂) or for pressure dispensing.



1. Vent port fully open.



2. Vent port outfitted with Colder check valve.



3. Vent port shown with Colder quick disconnect coupling.

Why Use DrumQuik® PRO?

Safety: Minimize spills, fumes and environmental impact

Performance: High flow capacity

Easy: Intuitive locking ring design for quick connection

Durability: Built to withstand harsh operating conditions

FDA Materials: Suitable for transfer of food products

Vapor Management: Ported vent allows control of fumes, blanket gas connection or pressure dispensing

Economic: Low cost for high volume, single-trip containers

Recyclable Materials: Allow easy disposal with containers



Colder Products Company®
Quick Couplings & Fittings for Plastic Tubing

Colder Products Company
1001 Westgate Drive
St. Paul, Minnesota 55114
U.S.A.

Phone: 651-645-0091
Fax: 651-645-5404
Toll Free: 800-444-2474

info@colder.com
www.colder.com

Colder Products Company GmbH
Schmalweg 50
D-55252 Mainz-Kastel
Germany

Phone: +49-6134-2878-0
Fax: +49-6134-287828

cpcgmbh@colder.com
www.colder.com

Colder Products Company Limited
Room 1503, 15/F, SBI Center
54 – 58 Des Voeux Road Central
Hong Kong

Phone: 852-2987-5272
Fax: 852-2987-2509

asiapacific@colder.com
www.colder.com