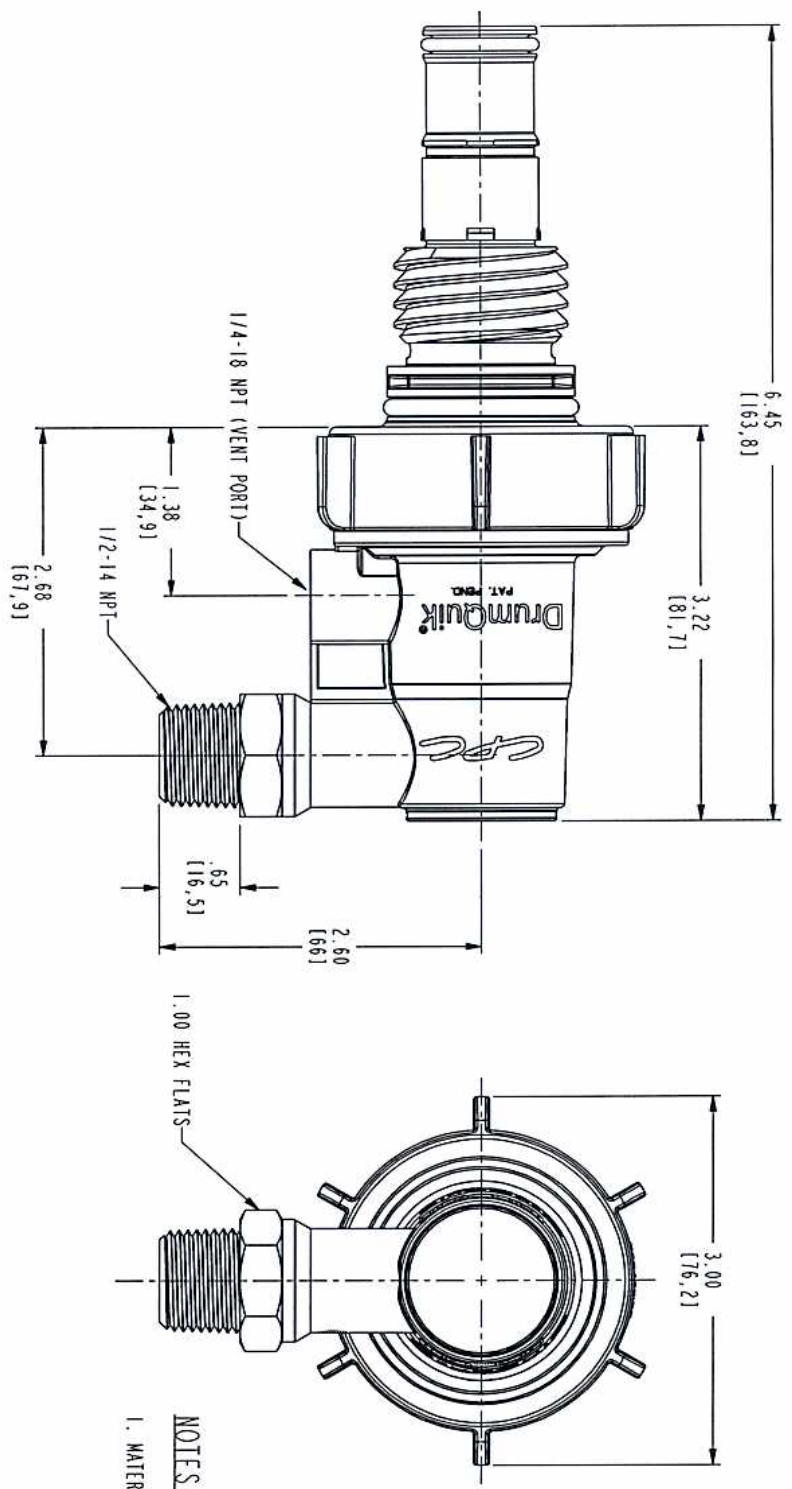


CONFIDENTIAL
 THIS PRINT CONTAINS PROPRIETARY INFORMATION
 NO REPRODUCTION OR DISCLOSURE OF THIS DOCUMENT
 SHALL BE MADE WITHOUT AUTHORIZATION FROM
 COLDER PRODUCTS COMPANY



DQPR008120208XXX
 OPTION SUFFIX

NOTES:

1. MATERIAL: MAJOR COMPONENTS: NATURAL POLYPROPYLENE
 SPRING: SEE TABLE
 SEALS: SEE TABLE

207	FKM	HASTELLOY C
206	EPDM	HASTELLOY C
202	FKM	316 SST
N/A (STANDARD)	EPDM	316 SST
OPTION SUFFIX	SEAL MAT'L	SPRING MAT'L

CPC ™ COLDER PRODUCTS COMPANY	
PROJECT 5771	COUPLER ELBOW 1/2 MNPT DQPRO
DWG BY: GJH	DATE: 08-11-06 (CHD BY: <i>[Signature]</i>)
MATL/FIN: SEE ABOVE	DWG NO: DQPR0120208XXX